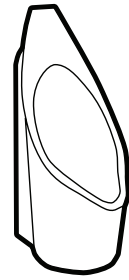


NEW CONSTRUCTION INSTALLATION INSTRUCTIONS

F-9000ss
WATERFREE URINAL



Insert Tube Cutting Chart

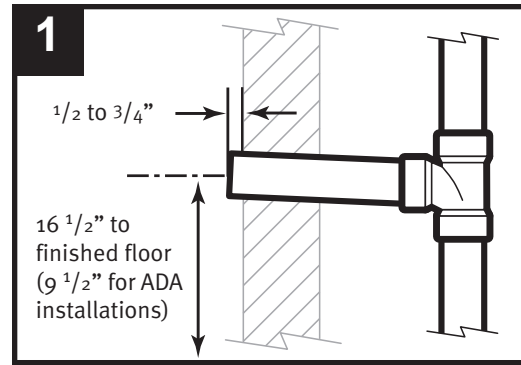
Drain Nipple Depth	Trim
13 7/8" or greater	Do not cut
13 3/4" or less	1/4"
13 1/2" or less	1/2"
13 1/4" or less	3/4"
13" or less	1"
12 3/4" or less	1 1/4"
12 1/2" or less	1 1/2"
12 1/4" or less	1 3/4"
12" or less	2"
11 3/4" or less	2 1/4"
11 1/2" or less	2 1/2"
11 1/4" or less	2 3/4"
11" or less	3"
10 3/4" or less	3 1/4"
10 1/2" or less	3 1/2"
10 1/4" or less	3 3/4"
10" or less	4"
9 3/4" or less	4 1/4"
9 1/2" or less	4 1/2"
9 1/4" or less	4 3/4"
9" or less	5"
8 3/4" or less	5 1/4"
8 1/2" or less	5 1/2"
8 1/4" or less	5 3/4"
8" or less	6"
7 3/4" or less	6 1/4"
7 1/2" or less	6 1/2"
7 1/4" or less	6 3/4"
7" or less	7"
6 3/4" or less	7 1/4"
6 1/2" or less	7 1/2"
6 1/4" or less	7 3/4"
6" or less	8"
5 3/4" or less	8 1/4"
5 1/2" or less	8 1/2"
5 1/4" or less	8 3/4"
5" or less	9"
4 3/4" or less	9 1/4"
4 1/2" or less	9 1/2"
4 1/4" or less	9 3/4"
4" or less	10"
3 3/4" or less	Do not use tube

Before Starting Installation:

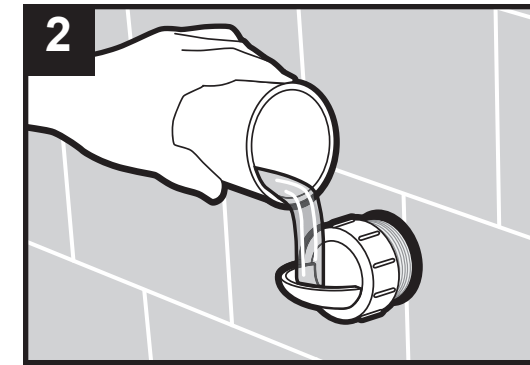
- Check rough-in height to achieve 24" rim height (17" rim height for ADA).
- Check slope. Downhill slope, per code, is essential because waterfree urinals depend on gravity flow.
- Check DWV material. Suitable materials include cast iron, PVC, ABS, and galvanized steel. Do not install on copper DWV due to copper's susceptibility to corrosion.
- Shut off water supply and cap the nipple with the 3/4" chrome cap (provided).

Customer Care:

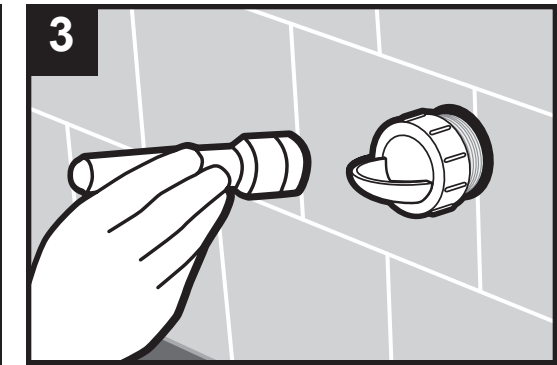
866-975-0174 (toll-free) or 616-877-4805
service@falconwaterfree.com • www.FalconWaterfree.com



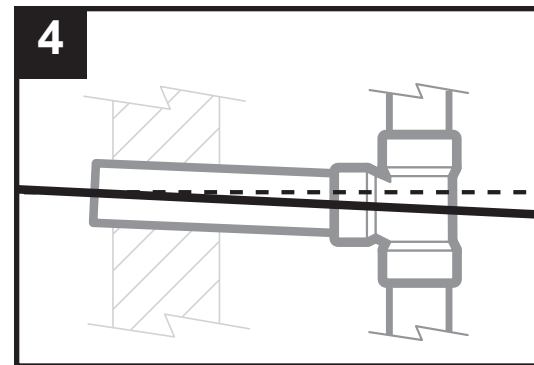
Threaded nipple should extend between 1/2" and 3/4" from wall. Set drain at 16 1/2" from finished floor (9 1/2" for ADA installation).



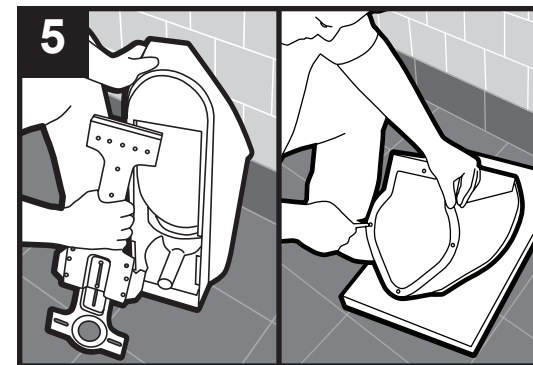
Clean face of existing wall flange then install the 2" compression nut with the clear inspection disc. Slowly pour water into the drain.



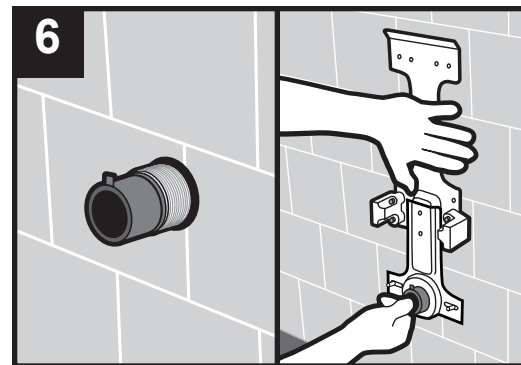
Use a flashlight to check pitch/slope. There should be no water present in the inspection disc or nipple. Remove compression nut after inspection.



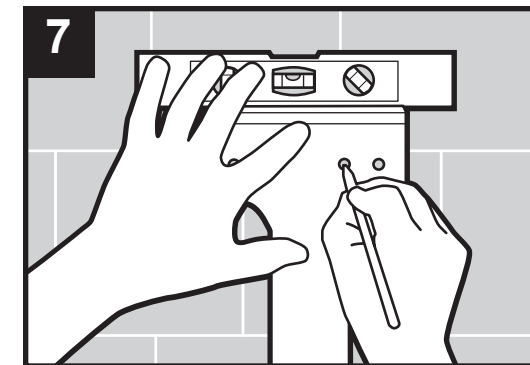
If standing water is present, adjust drain to achieve pitch (code requires 1/4" drop per foot of drain line for proper pitch). Seal wall according to code.



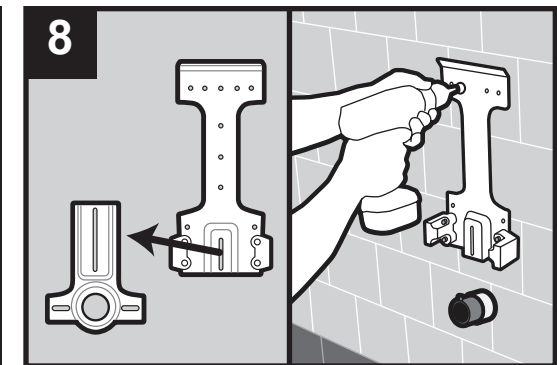
Remove wall bracket but do not loosen screws (bracket has been adjusted at factory for proper installation). Remove bottom cover from the urinal.



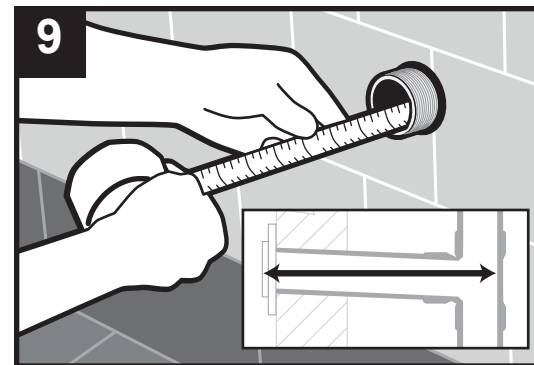
Insert the rubber bushing into the pipe nipple then hold the wall bracket in place, with the bushing sticking through the bracket hole.



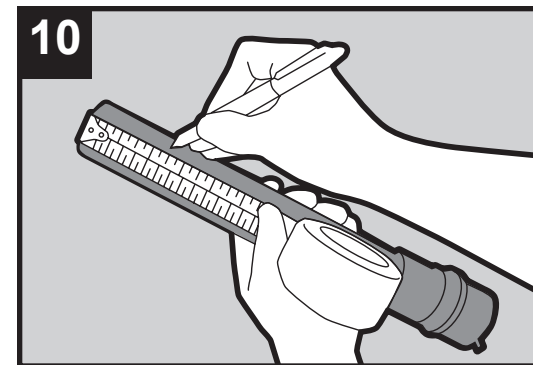
Level the wall bracket and mark anchor holes. Remove the bracket and drill at least four anchor holes with 5/16" masonry bit. Insert plastic anchors.



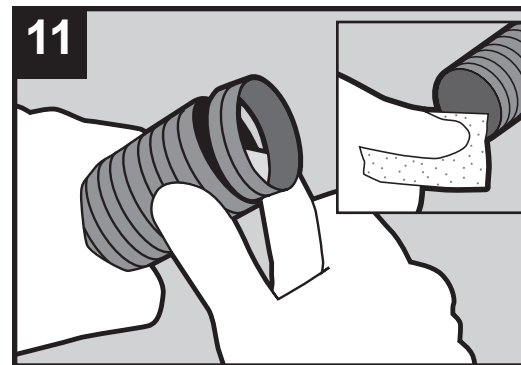
Remove the bottom section of the wall bracket and install the top section to the wall, using at least four anchor screws.



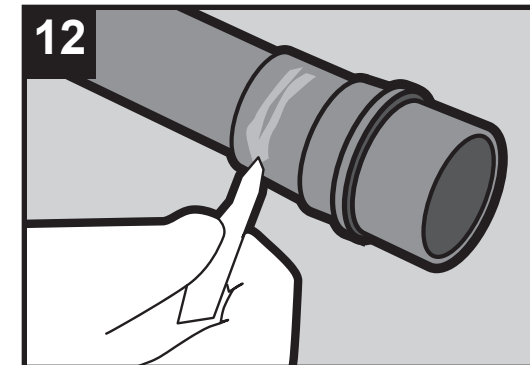
Determine the drain nipple depth by measuring the distance between the back of the sanitary tee (or elbow) to the front edge of the brass flange.



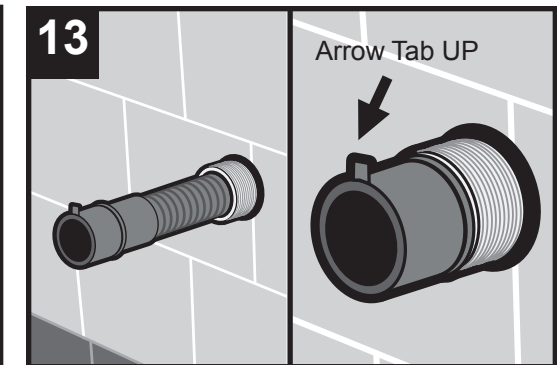
Find the drain nipple depth on the cutting chart (left) and mark the specified trim length on the insert tube at the nearest 1/4" groove.



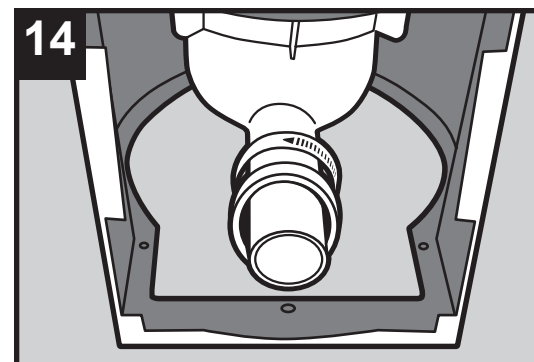
Cut the tube at the groove using a sharp utility knife to ensure a square, flat cut. Clean burrs from the cut end with emery paper.



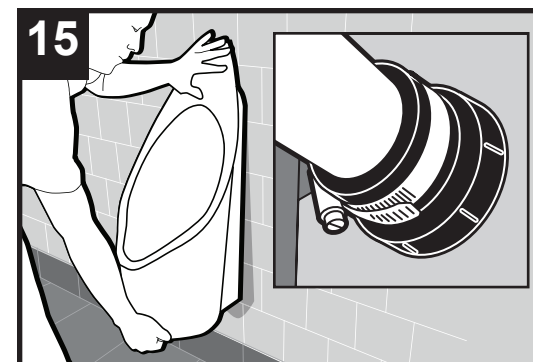
Apply lubricant to the outside of the rubber bushing and ribbed inside area. Also lubricate the tailpipe of urinal housing.



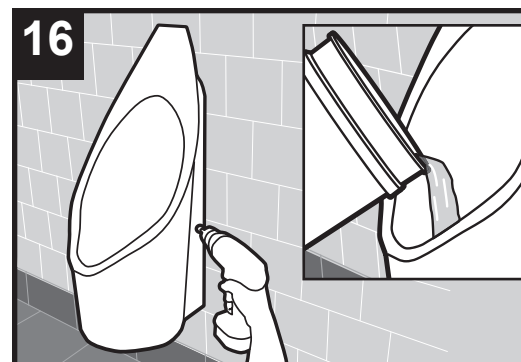
Insert the tube and bushing into the pipe nipple with the arrow tab at the top.



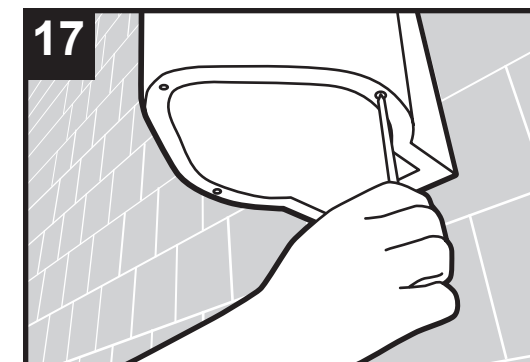
Place the gear clamp and compression nut on the housing tailpipe.



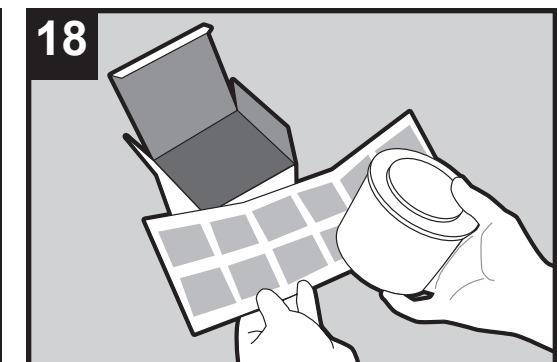
Partially insert the housing tailpipe into the rubber bushing then lift the urinal so it will slide over the hanger lip. Tighten the nut and gear clamp.



Install the side anchor screws into the nylon blocks. Pour 5 gallons of water as rapidly as possible into housing to ensure good flow and no leaks.



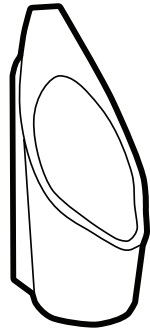
Re-install the bottom cover and caulk the bowl to the wall.



Install the cartridge per the cartridge instruction sheet.

Retrofit Installation Instructions

F-9000ss
WATERFREE URINAL



Insert Tube Cutting Chart

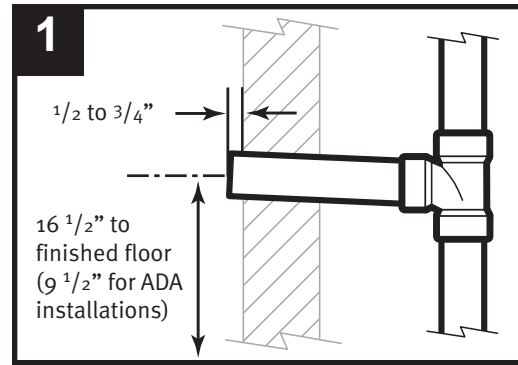
Drain Nipple Depth	Trim
13 7/8" or greater	Do not cut
13 3/4" or less	1/4"
13 1/2" or less	1/2"
13 1/4" or less	3/4"
13" or less	1"
12 3/4" or less	1 1/4"
12 1/2" or less	1 1/2"
12 1/4" or less	1 3/4"
12" or less	2"
11 3/4" or less	2 1/4"
11 1/2" or less	2 1/2"
11 1/4" or less	2 3/4"
11" or less	3"
10 3/4" or less	3 1/4"
10 1/2" or less	3 1/2"
10 1/4" or less	3 3/4"
10" or less	4"
9 3/4" or less	4 1/4"
9 1/2" or less	4 1/2"
9 1/4" or less	4 3/4"
9" or less	5"
8 3/4" or less	5 1/4"
8 1/2" or less	5 1/2"
8 1/4" or less	5 3/4"
8" or less	6"
7 3/4" or less	6 1/4"
7 1/2" or less	6 1/2"
7 1/4" or less	6 3/4"
7" or less	7"
6 3/4" or less	7 1/4"
6 1/2" or less	7 1/2"
6 1/4" or less	7 3/4"
6" or less	8"
5 3/4" or less	8 1/4"
5 1/2" or less	8 1/2"
5 1/4" or less	8 3/4"
5" or less	9"
4 3/4" or less	9 1/4"
4 1/2" or less	9 1/2"
4 1/4" or less	9 3/4"
4" or less	10"
3 3/4" or less	Do not use tube

Before Starting Installation:

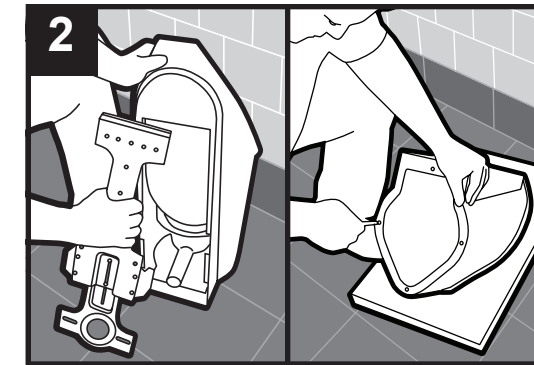
- Check rough-in height to achieve 24" rim height (17" rim height for ADA).
- Check slope. Downhill slope, per code, is essential because waterfree urinals depend on gravity flow.
- Start with a clean drain line that is free of obstructions. Refer to the Pre-Installation Drain Line Cleaning information in the owners kit.
- Check DWV material. Suitable materials include cast iron, PVC, ABS, and galvanized steel.
- Do not install on copper DWV due to copper's susceptibility to corrosion.
- Shut off water supply and cap the nipple with the 3/4" chrome cap (provided).

Customer Care:

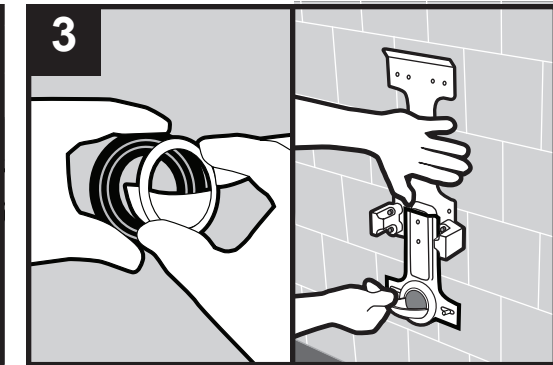
866-975-0174 (toll-free) or 616-877-4805
service@falconwaterfree.com • www.FalconWaterfree.com



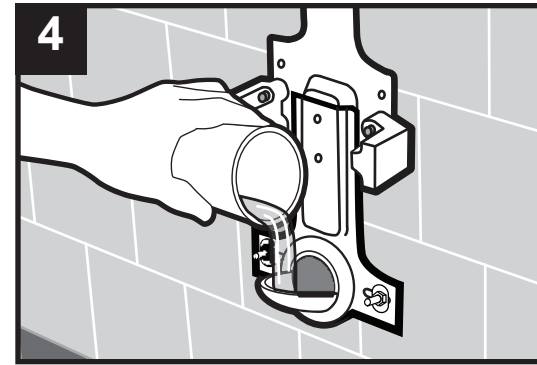
Threaded nipple should extend between 1/2" and 3/4" from wall. Set drain at 16 1/2" from finished floor (9 1/2" for ADA installation).



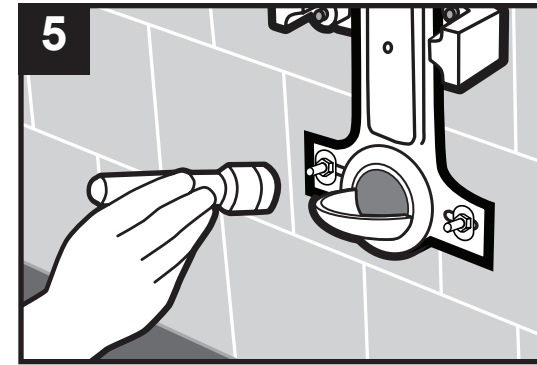
Remove wall bracket but do not loosen screws (bracket has been adjusted at factory for proper installation). Remove bottom cover from the urinal.



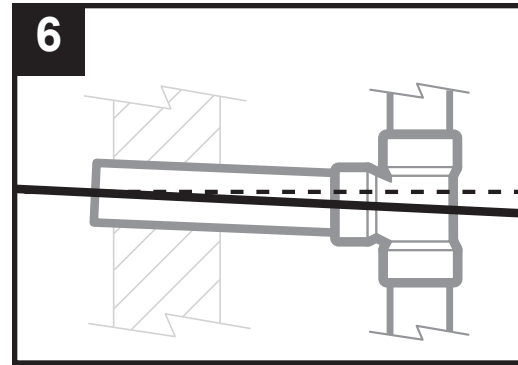
Insert the rubber seal and clear inspection disc into the bracket hole, then attach bracket to the spud flange. Install washers and nuts.



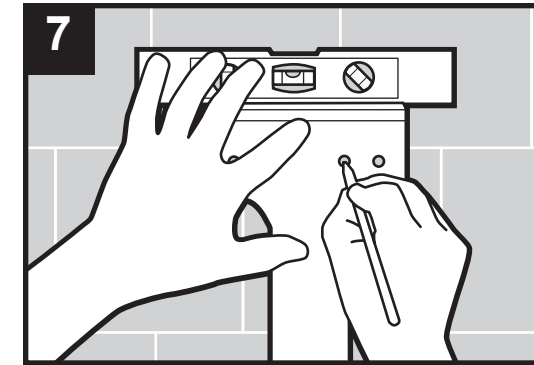
Slowly pour water into the drain.



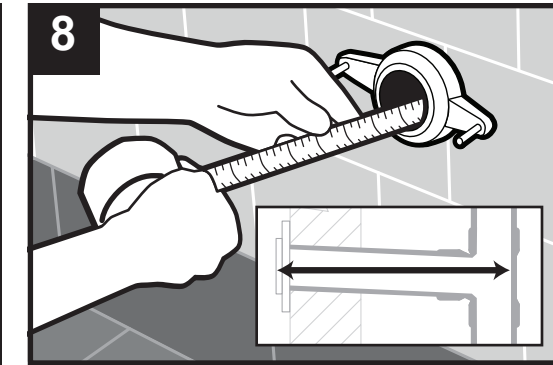
Use a flashlight to check pitch/slope. There should be no water present in the inspection disc or nipple. Remove bracket, washer & disc after inspection.



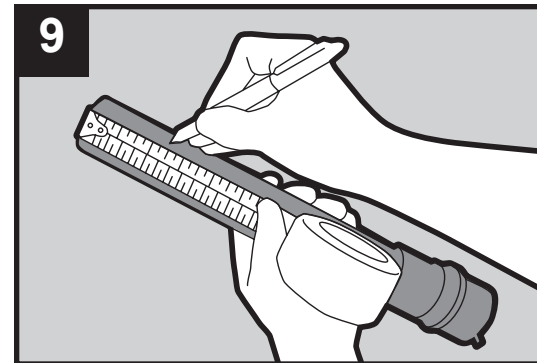
If standing water is present, adjust drain to achieve pitch (code requires 1/4" drop per foot of drain line for proper pitch). Seal wall according to code.



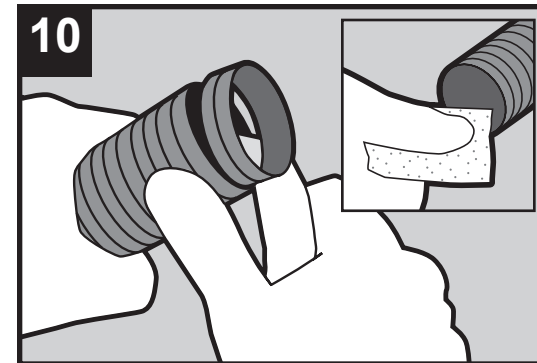
Place bracket on flange, check level, and mark anchor holes. Remove bracket and drill at least four anchor holes with 5/16" masonry bit. Insert plastic anchors.



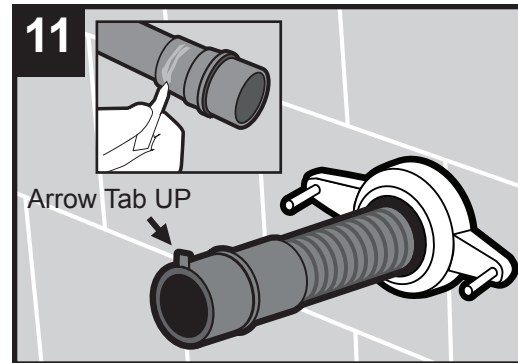
Determine the drain nipple depth by measuring the distance between the back of the sanitary tee (or elbow) to the front edge of the brass flange.



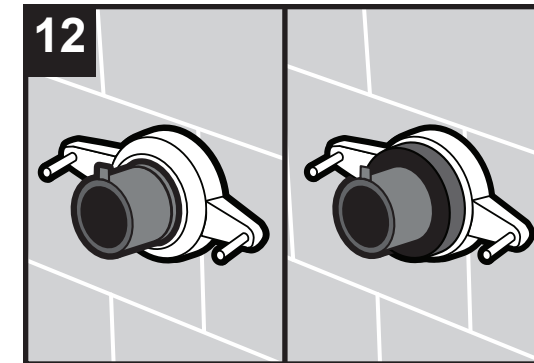
Find the drain nipple depth on the cutting chart (left) and mark the specified trim length on the insert tube at the nearest 1/4" groove.



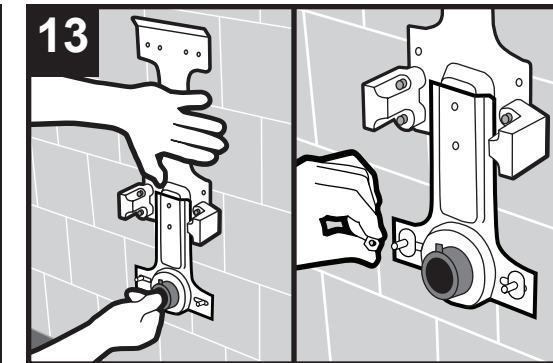
Cut the tube at the groove using a sharp utility knife to ensure a square, flat cut. Clean burrs from the cut end with emery paper.



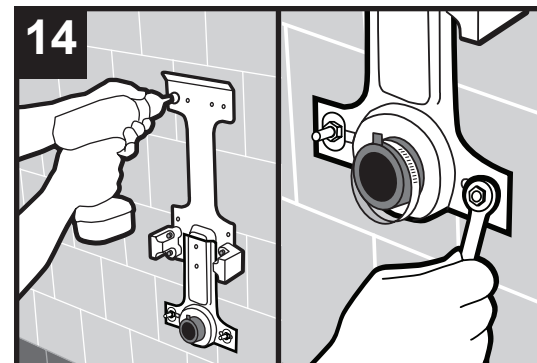
Apply lubricant to the outside of the rubber bushing and ribbed inside area. Insert tube and bushing with the arrow tab at the top. Lube tailpipe of urinal housing.



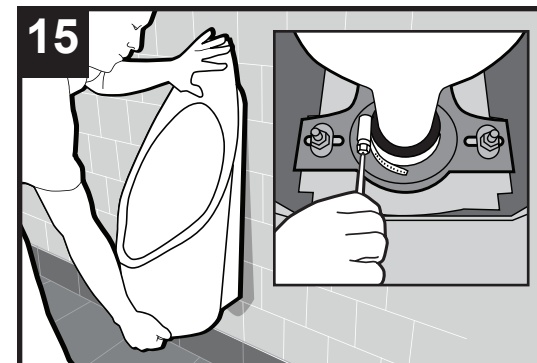
Place the rubber seal over the bushing with the ribs facing the flange. Press firmly into place.



Install the wall bracket with washers and nuts on the flange studs. Use spacer washers between flange and bracket if needed. Hand-tighten the nuts.



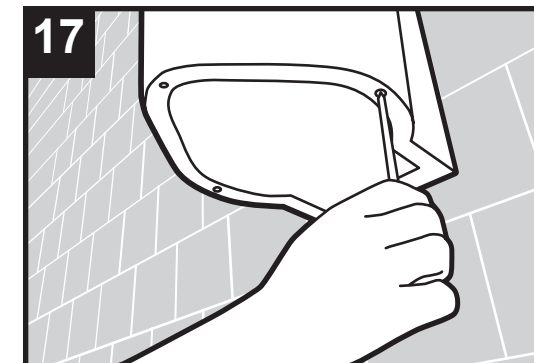
Install at least four wall anchor screws. Wrench-tighten flange nuts. Place gear clamp on rubber bushing but do not tighten.



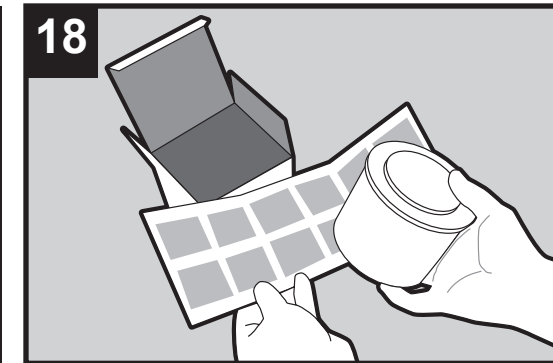
Insert the housing tailpipe into the rubber bushing then lift the urinal so it will slide over the hanger lip. Tighten the gear clamp.



Install the side anchor screws into the nylon blocks. Pour 5 gallons of water as rapidly as possible into housing to ensure good flow and no leaks.



Re-install the bottom cover and caulk the bowl to the wall.



Install the cartridge per the cartridge instruction sheet.