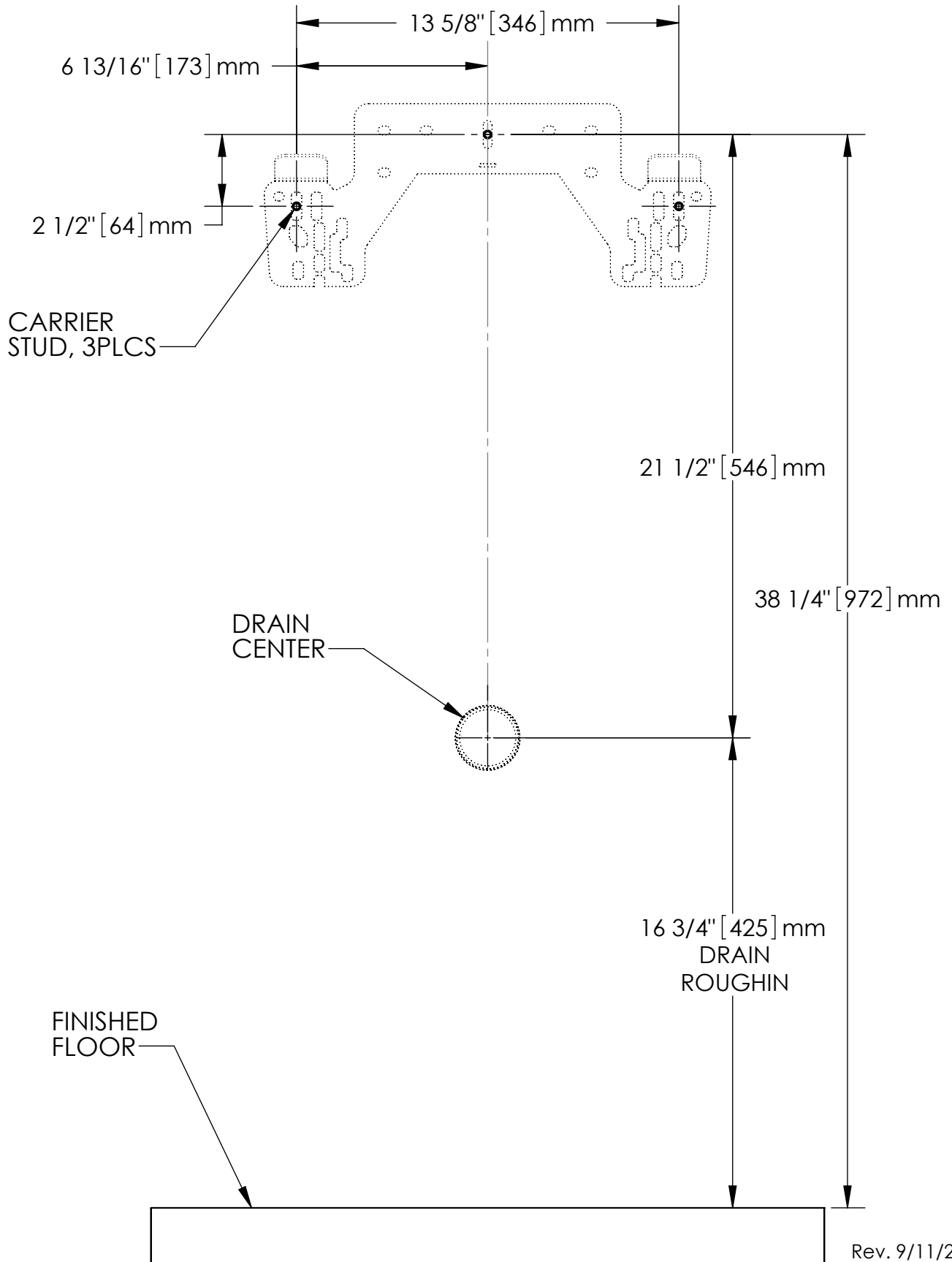




FALCON
WATERFREE TECHNOLOGIES

F-1000 V2 FIXED UNI-BRACKET CARRIER STUD PLACEMENT

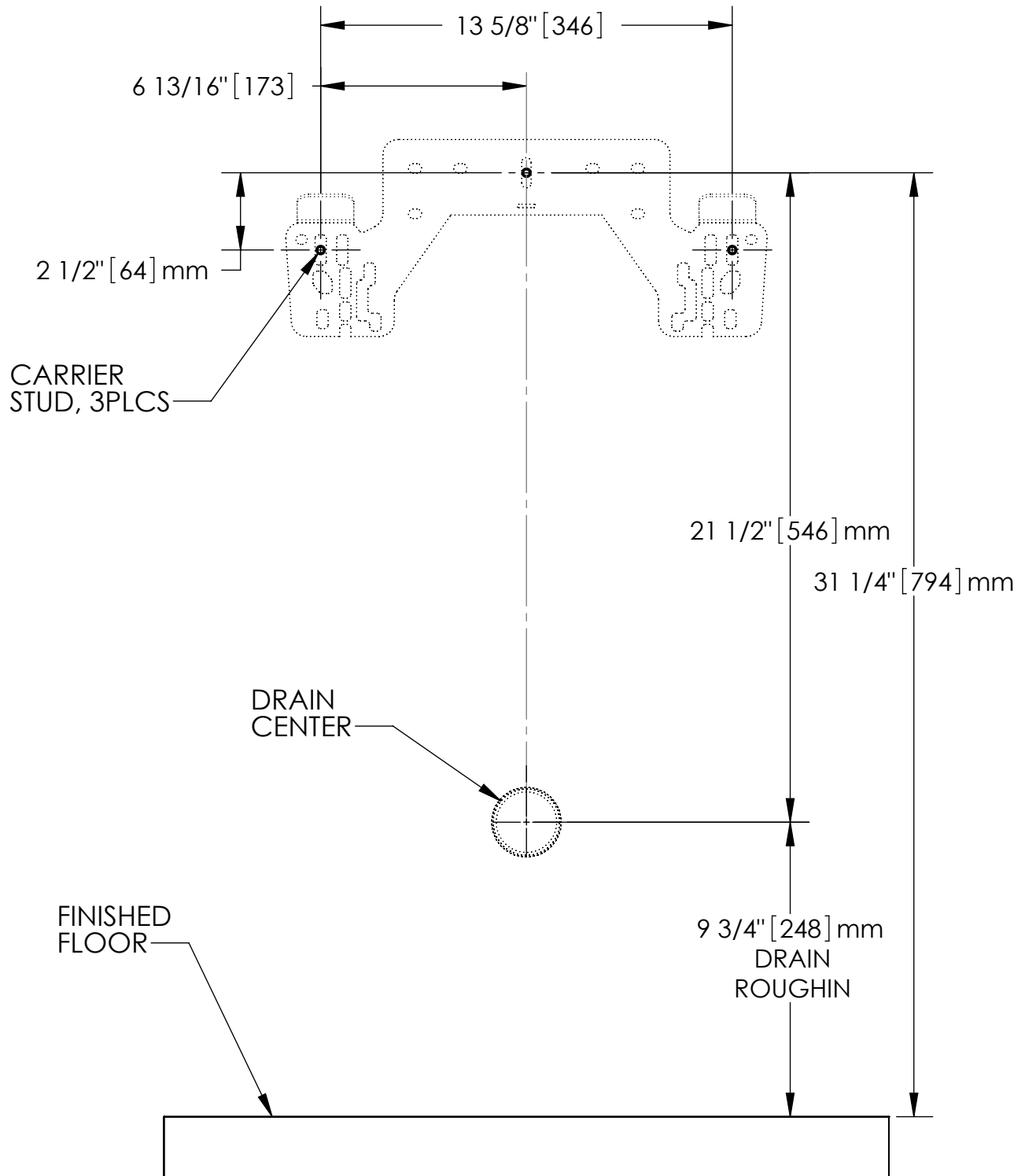
Note: Fractional dimensions are rounded to the nearest 1/16"
Dimensions in (mm) are rounded to the nearest 1mm





F-1000 V2 ADA FIXED UNI-BRACKET CARRIER STUD PLACEMENT

Note: Fractional dimensions are rounded to the nearest 1/16"
Dimensions in (mm) are rounded to the nearest 1mm

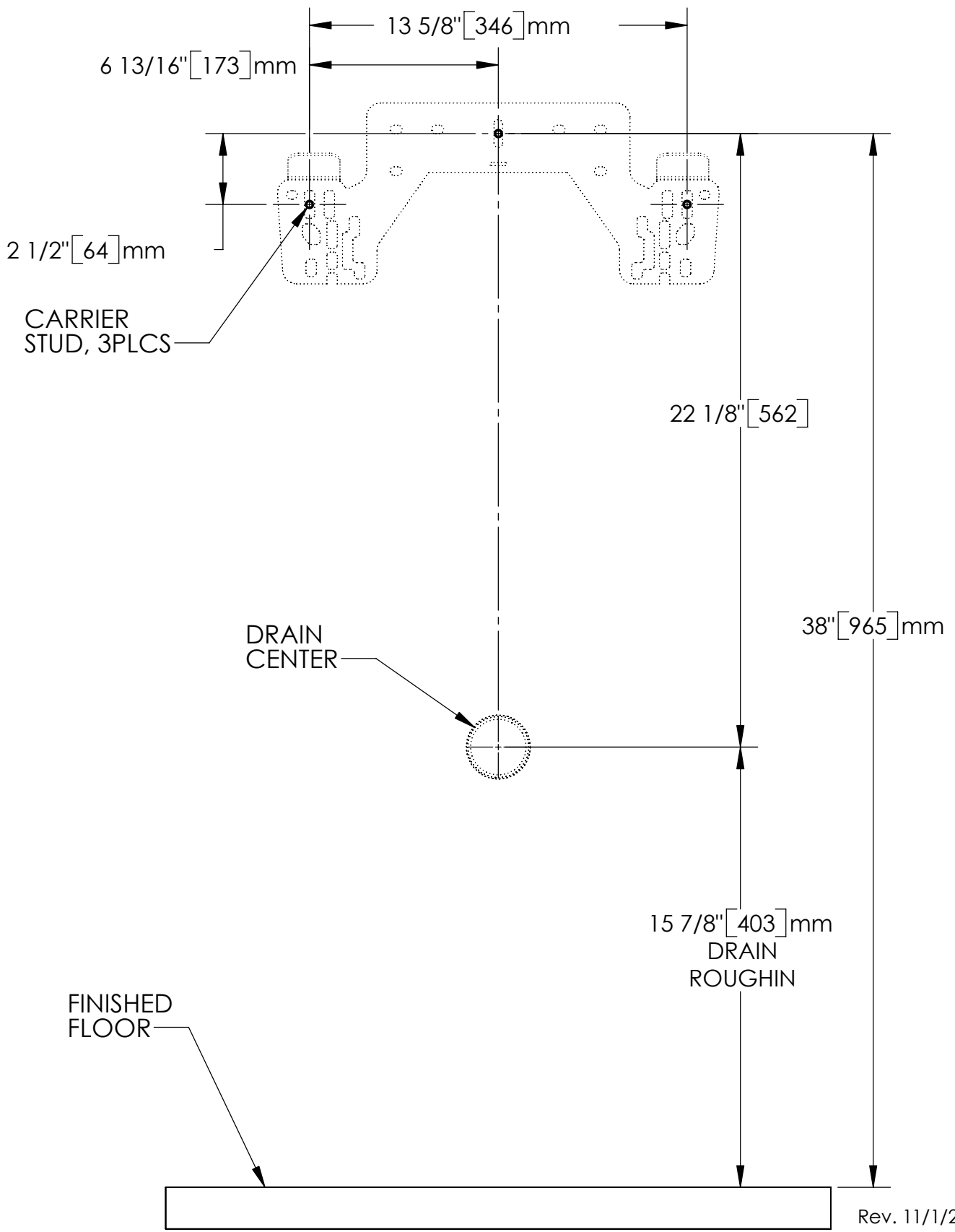


Rev. 9/11/2008



F-1000 FIXED UNI-BRACKET CARRIER STUD PLACEMENT

Note: Fractional dimensions are rounded to the nearest 1/16"
Dimensions in (mm) are rounded to the nearest 1mm

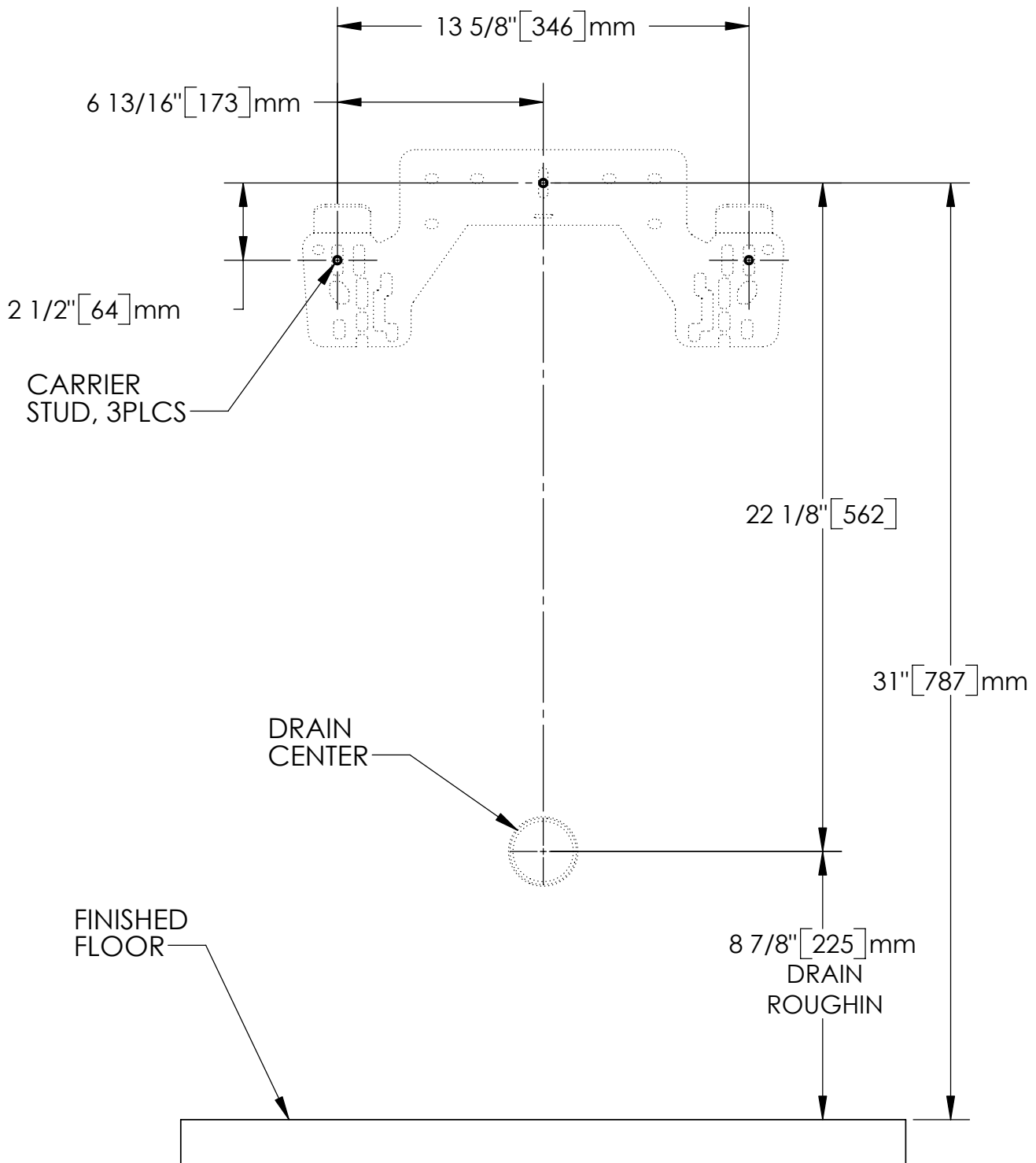


Rev. 11/1/2006



F-1000 ADA FIXED UNI-BRACKET CARRIER STUD PLACEMENT

Note: Fractional dimensions are rounded to the nearest 1/16"
Dimensions in (mm) are rounded to the nearest 1mm

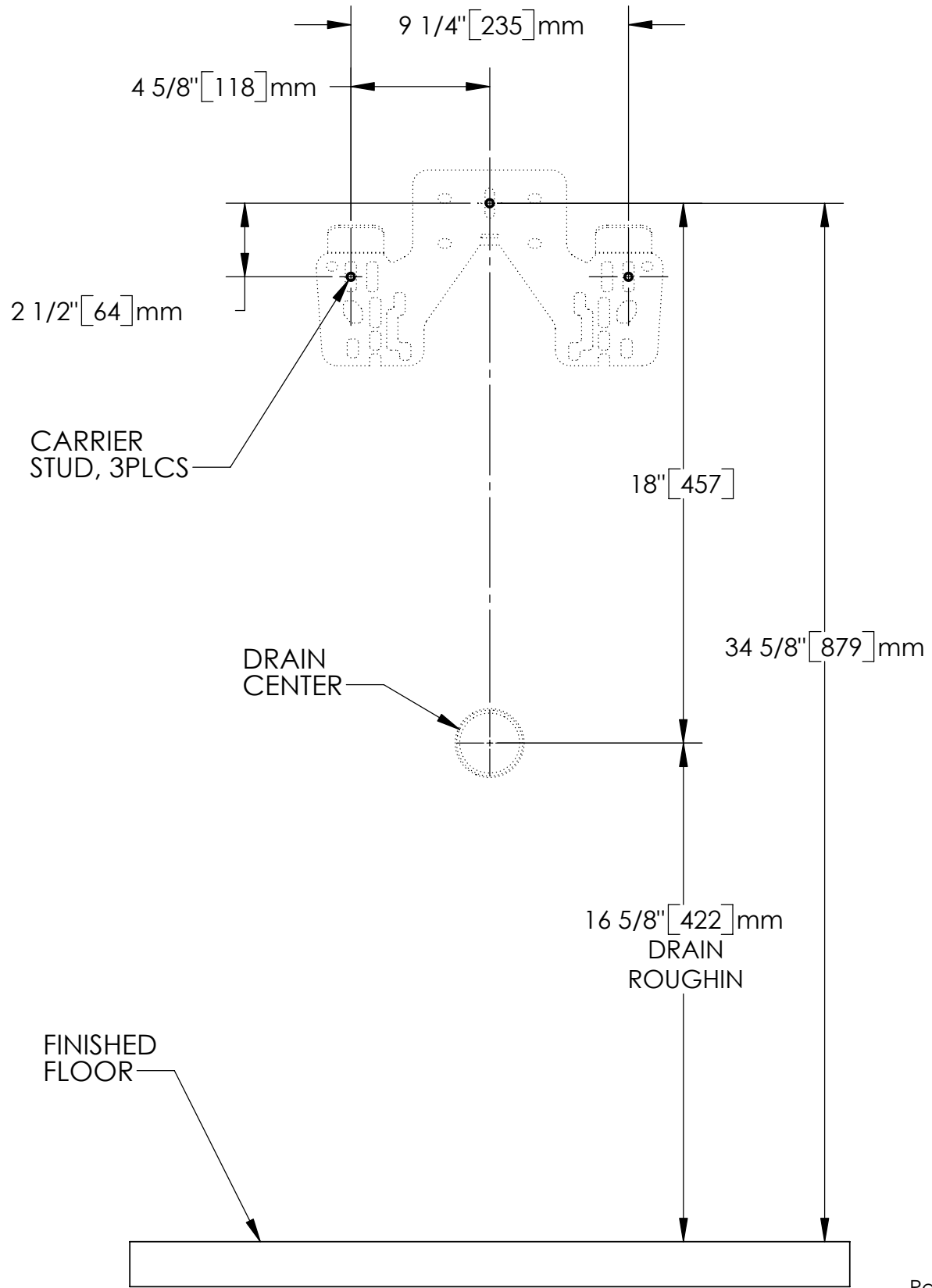


Rev. 11/1/2006



F-2000 FIXED UNI-BRACKET CARRIER STUD PLACEMENT

Note: Fractional dimensions are rounded to the nearest 1/16"
Dimensions in (mm) are rounded to the nearest 1mm

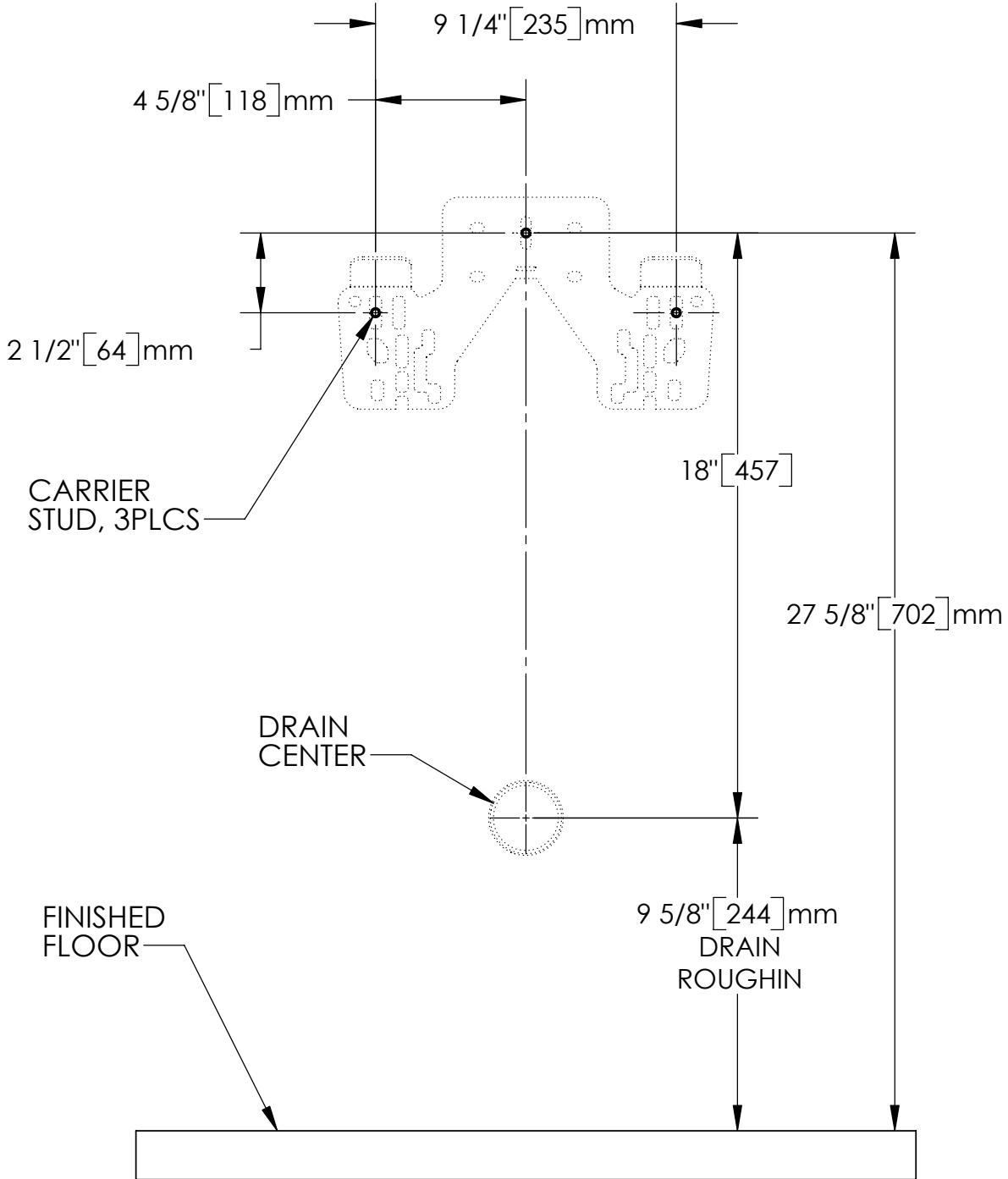


Rev. 11/1/2006



F-2000 ADA FIXED UNI-BRACKET CARRIER STUD PLACEMENT

Note: Fractional dimensions are rounded to the nearest 1/16"
Dimensions in (mm) are rounded to the nearest 1mm

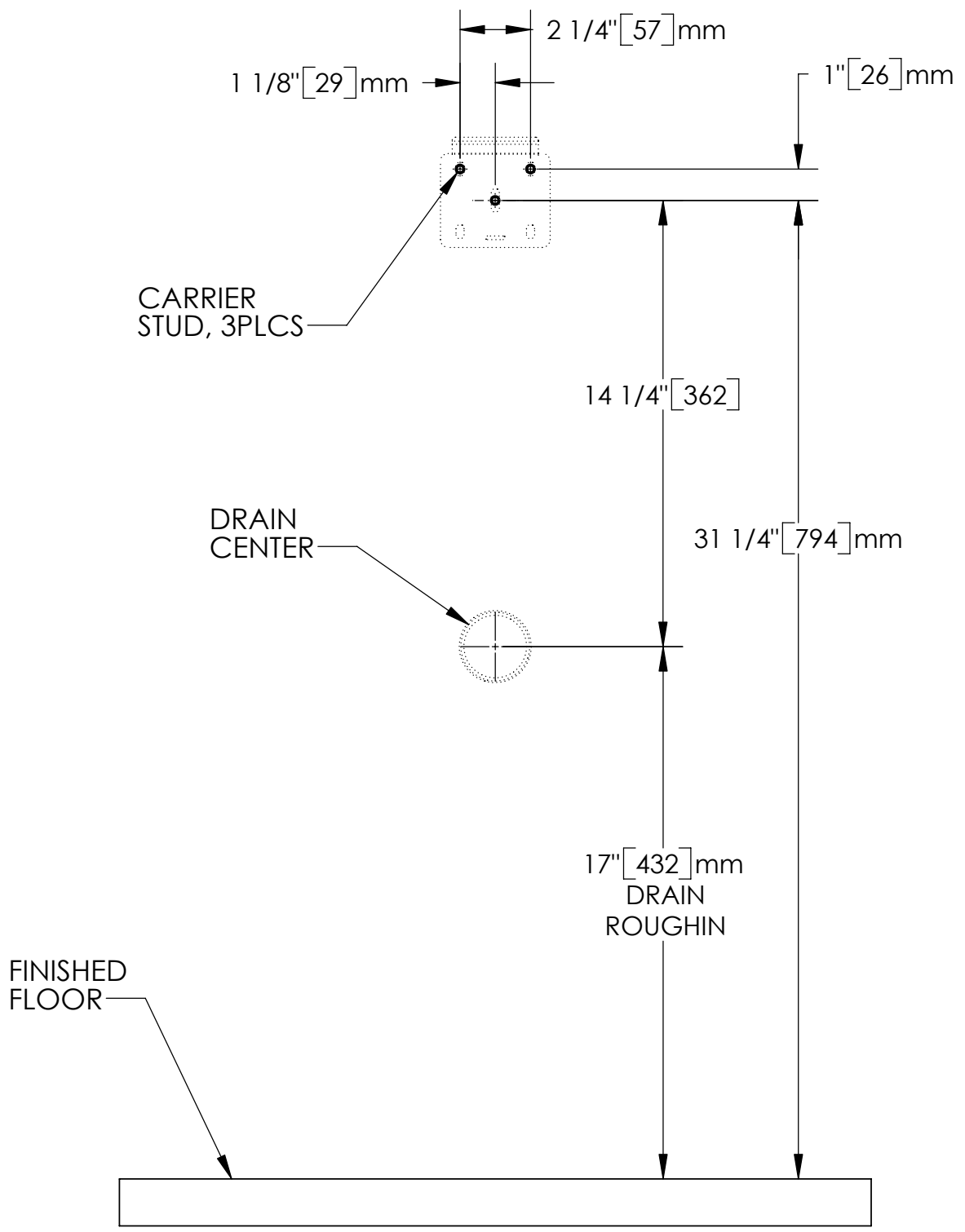


Rev. 11/1/2006



F-4000 FIXED UNI-BRACKET CARRIER STUD PLACEMENT

Note: Fractional dimensions are rounded to the nearest 1/16"
Dimensions in (mm) are rounded to the nearest 1mm

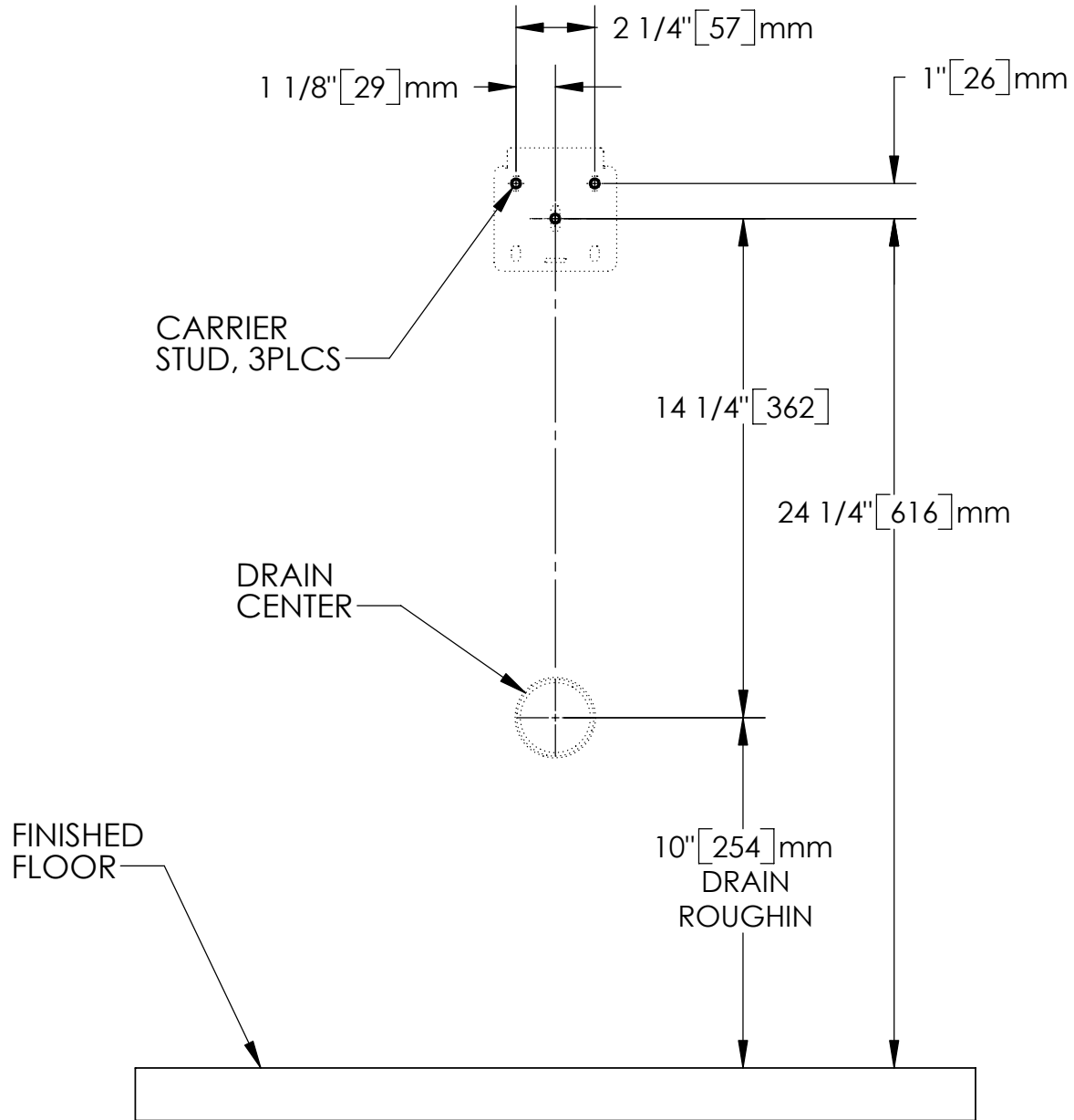


Rev. 11/1/2006



F-4000 ADA, FIXED UNI-BRACKET CARRIER STUD PLACEMENT

Note: Fractional dimensions are rounded to the nearest 1/16"
Dimensions in (mm) are rounded to the nearest 1mm

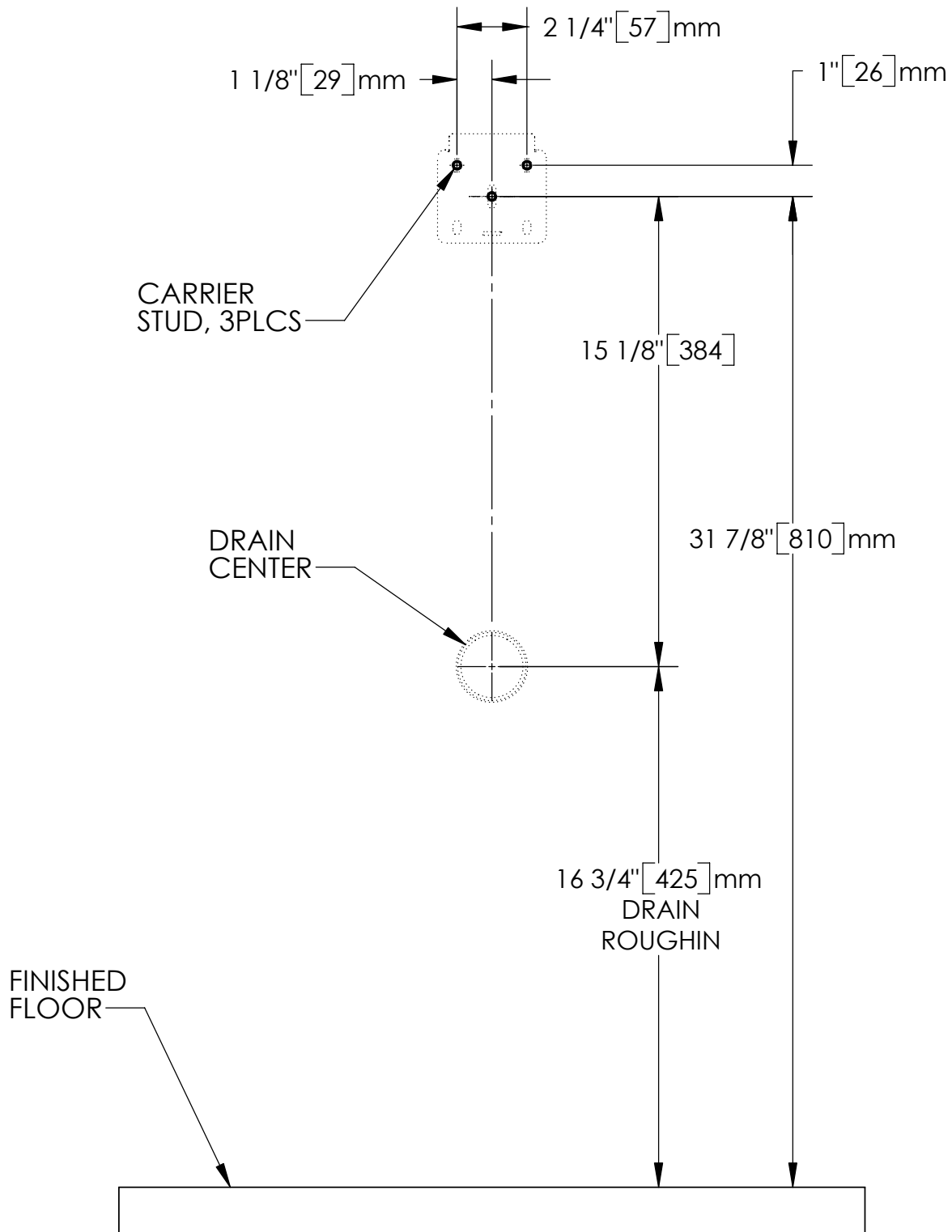


Rev. 11/1/2006



F-5000 FIXED UNI-BRACKET CARRIER STUD PLACEMENT

Note: Fractional dimensions are rounded to the nearest 1/16"
Dimensions in (mm) are rounded to the nearest 1mm

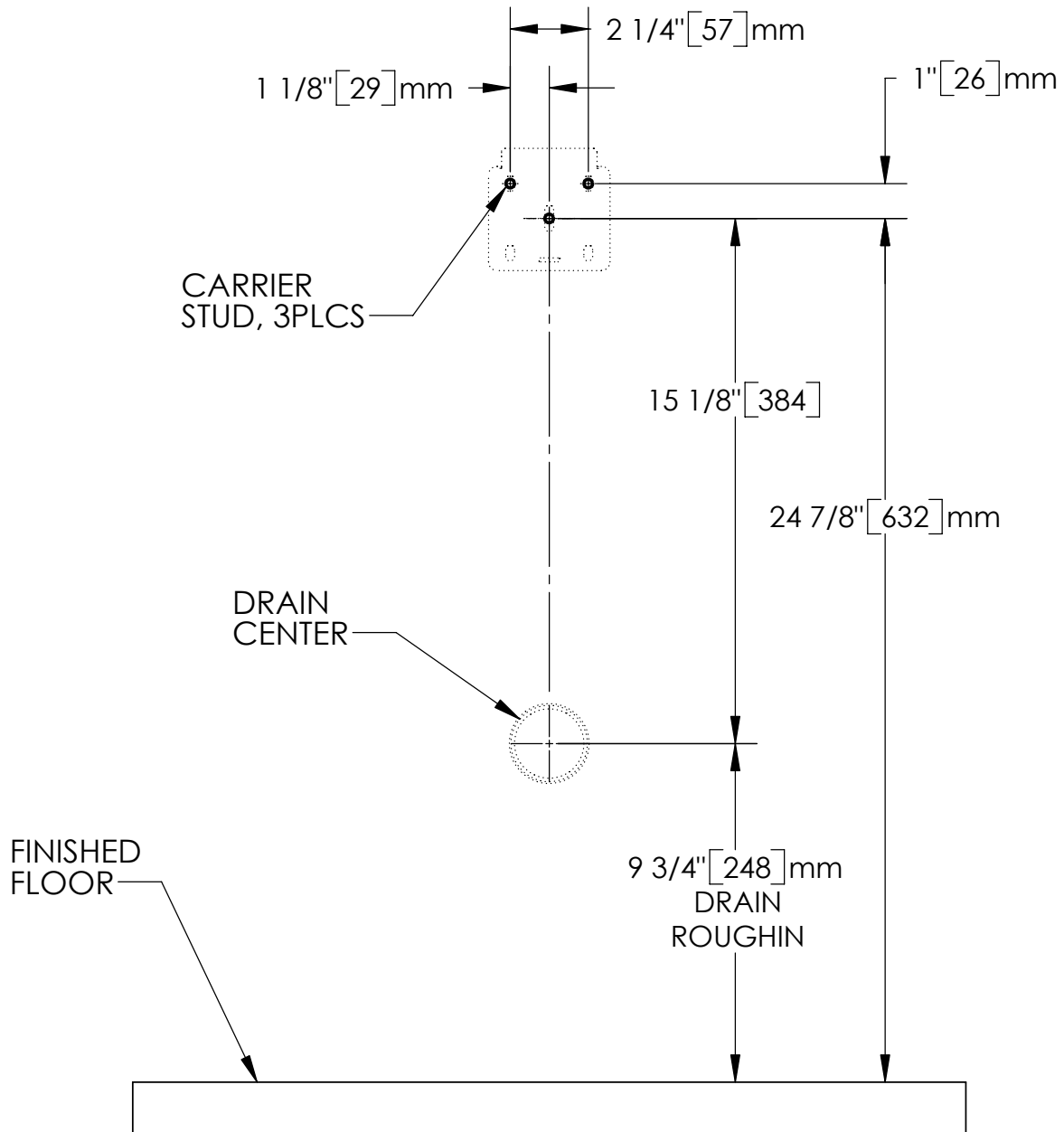


Rev. 11/1/2006



F-5000 ADA, FIXED UNI-BRACKET CARRIER STUD PLACEMENT

Note: Fractional dimensions are rounded to the nearest 1/16"
Dimensions in (mm) are rounded to the nearest 1mm

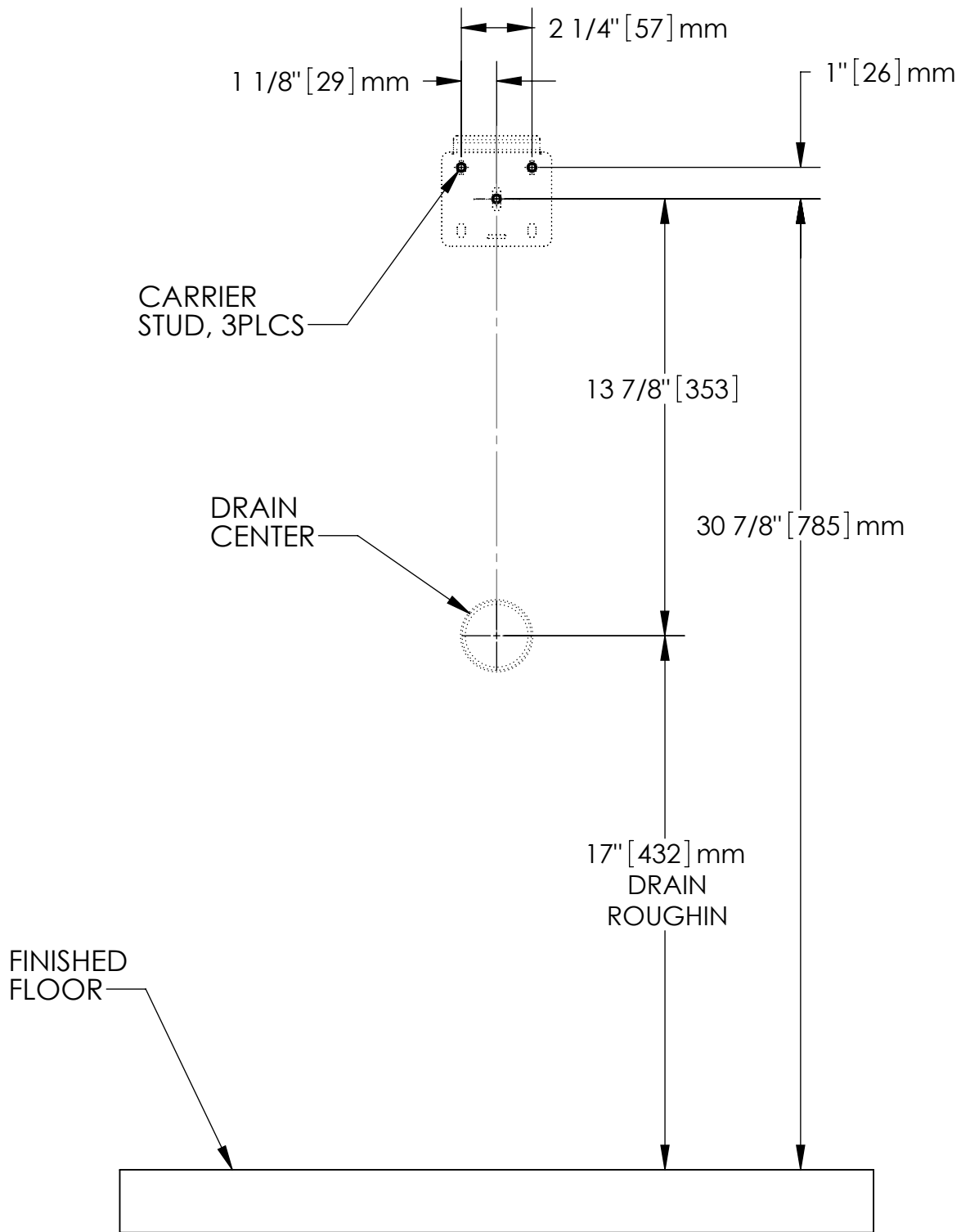


Rev. 11/1/2006



F-7000/LAVA FIXED UNI-BRACKET CARRIER STUD PLACEMENT

Note: Fractional dimensions are rounded to the nearest 1/16"
Dimensions in (mm) are rounded to the nearest 1mm



Rev. 6/24/2009



Note: Fractional dimensions are rounded to the nearest 1/16"
Dimensions in (mm) are rounded to the nearest 1mm

